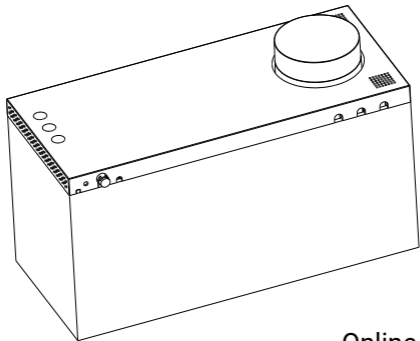


## Part 1: Main User Manual (Hardware & Maintenance)

*This document covers physical installation, safety, maintenance, and hardware specs.*

# Smart Fish Tank User Manual



Online Support



Model Series: WP8689  
Version 25.12

*Installation, Cleaning,  
Live Chat & FAQ*

# 1. Important Safety Instructions

## READ AND FOLLOW ALL SAFETY INSTRUCTIONS

To avoid electric shock or damage to the product, please observe the following:

- **Prevent Dry Running (CRITICAL):** The water pump must be **completely submerged** in water before powering on. Running the pump dry will cause loud noise and permanently damage the motor.
- **Sand/Substrate Warning:** If using fine sand, elevate the pump position or shorten the connection tube. Sand entering the pump intake will block the impeller and stop the motor.
- **Waterproofing:** Keep the touch buttons dry to ensure accurate operation.
- **Temperature Sensor:** The temperature probe must remain submerged in water at all times for accurate readings.
- **Power Supply:** Always use a 5V/2A USB power adapter.
- **Drip Loop:** Always arrange a "drip loop" for each cord connecting an aquarium appliance to a receptacle. The drip loop is the part of the cord below the level of the receptacle that prevents water from traveling along the cord and coming in contact with the outlet.

# 2. Package Contents

*(Please check if all accessories are included)*

- 1 × Fish Tank Body (Glass)
- 1 × Smart Lid (with Integrated Feeder, Light, Filter Sponge / Media, Water Pump & Connection Tube)
- 1 × Adaptor(5V2A)
- 1 × User Manual
- (Optional) Oxygen Pump or Heater (Sold Separately)

### 3. Product Overview

**Automatic Feeder:**

Rotate/Open cap to refill fish food.

**Touch Control Panel:**

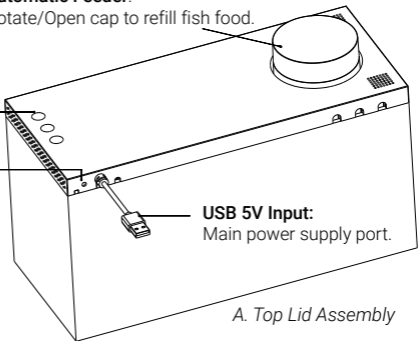
Controls for Feeding, Pump, and Light.

**DC 5V Output:**

Port for the Water Pump.

**USB 5V Input:**

Main power supply port.



*A. Top Lid Assembly*

**RGB Light:** Integrated under the lid for illumination.

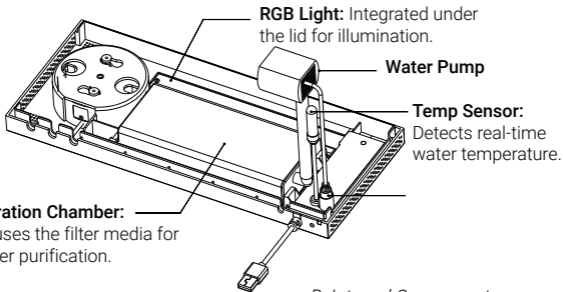
**Water Pump**

**Temp Sensor:**

Detects real-time water temperature.

**Filtration Chamber:**

Houses the filter media for water purification.



*B. Internal Components*

## 4. Installation Guide

### Step 1: Hardware Connection

Connect the tank USB cable to the DC 5V interface located on the outside of the tank lid.

### Step 2: Pump Placement

Secure the pump to the bottom of the tank using its suction cups.

*Tip: If using sand, mount the pump slightly higher on the glass wall to avoid sucking in sand.*

### Step 3: Fill Water

Fill the tank with water. Ensure the water level is high enough to completely cover the water pump and temperature sensor.

### Step 4: Power On

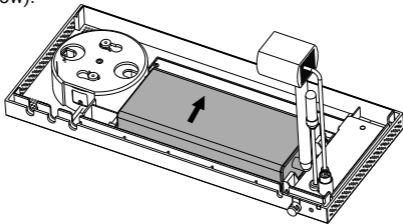
Connect the USB cable to the included 5V/2A power adapter. The device will start up, and the pump will start circulating water.

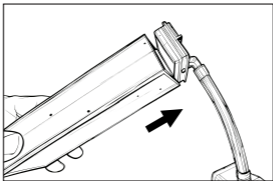
## 5. Maintenance: Cleaning the Pump & Filter

*IMPORTANT: If the pump becomes noisy or stops working, it is usually because the impeller is dirty.*

### 1. Cleaning the Filter Sponge (Monthly):

**Step A:** Push out the filter box in the direction indicated by the diagram (arrow).





**Step B:** Open the lid of the filter box. Remove the old materials and replace them with a new filter sponge and filter media.

## 2. Cleaning the Water Pump:

Clean the debris on the pump filter screen every week to maintain normal pump operation.

## 6. Troubleshooting

Issue	Possible Cause	Solution
Noisy Pump	<ol style="list-style-type: none"><li>1. Air trapped inside.</li><li>2. Low water level.</li><li>3. Filter blocked.</li></ol>	<ol style="list-style-type: none"><li>1. Shake pump underwater to release air.</li><li>2. Add water to submerge pump.</li><li>3. Clean the pump filter screen.</li></ol>
Pump Stops	"Feeding Mode" is active.	The pump pauses during feeding to prevent food from being sucked away. It will resume automatically. You can set the pause duration manually in the app by tapping "Water Pump" and accessing the settings.

## 7. Specifications

<b>Model</b>	WP8689	<b>Main Material</b>	ABS + Glass
<b>Connection</b>	Bluetooth	<b>Light Power</b>	4.2W
<b>Dimensions</b>	301x135x182mm (11.9" x 5.3" x 7.2")	<b>Pump Flow Rate</b>	Adjustable (Max 120 L/H)
<b>Capacity</b>	~5 Liters	<b>Pump Waterproofing</b>	IPX8 (Submersible Standard)
<b>Power Input</b>	DC 5V / 2A	<b>Food Compatibility</b>	Dry Pellets / Granules (Dia. < 0.5mm)

## 8. Limited Warranty

**Warranty Period: 1 Year (12 Months)**

### Coverage:

*We warrant this product to be free from defects in materials and workmanship for a period of one (1) year from the original date of purchase. If a hardware defect arises and a valid claim is received within the Warranty Period, we will either repair or replace the product.*

## 9. Customer Support & About Us

**Focus on Smart Aquariums, Simplify Your Pet Life.**

We are dedicated to innovating the aquarium hobby by combining modern aesthetics with smart technology. Whether you are a beginner or a pro, our smart solutions make fish keeping easier and more enjoyable.

### Contact Information:

**Designed by:** Oiktech Ltd.

**Website:** [www.oiktech.com](http://www.oiktech.com)

**Support Email:** [support@oiktech.com](mailto:support@oiktech.com)